

RAM 2009-18 1500/2500/3500 Crew Cab XL2 Step

Thank you for choosing Rough Country for all your vehicle needs.

Please read instructions before beginning installation. Check the kit hardware against the kit contents shown below. Be sure you have all needed parts and know where they go.

If question exist, please call us @1-800-222-7023. We will be happy to answer any questions concerning this product.

Check all fasteners for proper torque. Check to ensure for adequate clearance between all components.

Periodically check all hardware for tightness.

KIT CONTENTS:

- Driver Step x1
- Passenger Step x1
- Driver Step Bracket x3
- Passenger Step Bracket x3
- Driver Support Bracket x3
- Passenger Support Bracket x3

TOOLS NEEDED:

- 13mm Wrench or Socket

HARDWARE INCLUDED:

- 8mm Flat Washers x60
- 8mm Lock Washer x18
- 8mm x 25mm Hex Head Bolt x36
- 8mm Nut Plate x6
- 8mm Lock Nut x24
- 8mm Bolt Plate x6



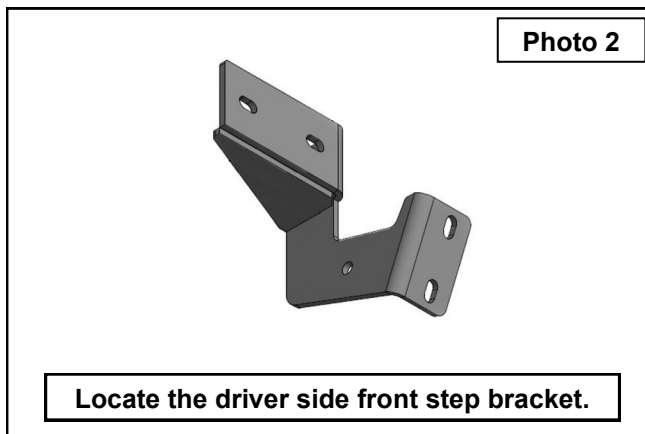
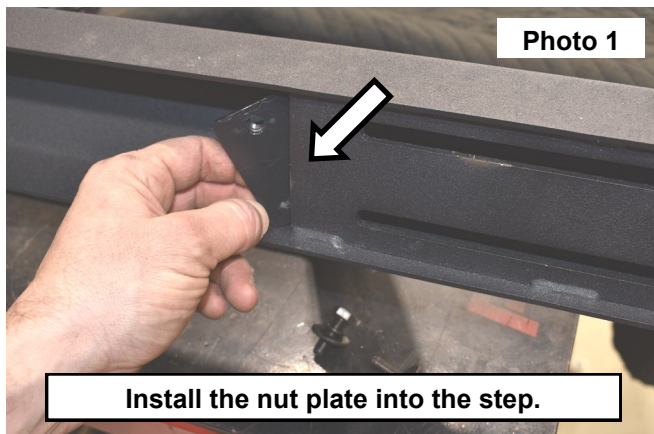
Torque Specs:

Size	Grade 5	Grade 8	Size	Class 8.8	Class 10.9
5/16"	15 ft/lbs	20ft/lbs	6MM	5ft/lbs	9ft/lbs
3/8"	30 ft/lbs	35ft/lbs	8MM	18ft/lbs	23ft/lbs
7/16"	45 ft/lbs	60ft/lbs	10MM	32ft/lbs	45ft/lbs
1/2"	65 ft/lbs	90ft/lbs	12MM	55ft/lbs	75ft/lbs
9/16"	95 ft/lbs	130ft/lbs	14MM	85ft/lbs	120ft/lbs
5/8"	135ft/lbs	175ft/lbs	16MM	130ft/lbs	165ft/lbs
3/4"	185ft/lbs	280ft/lbs	18MM	170ft/lbs	240ft/lbs

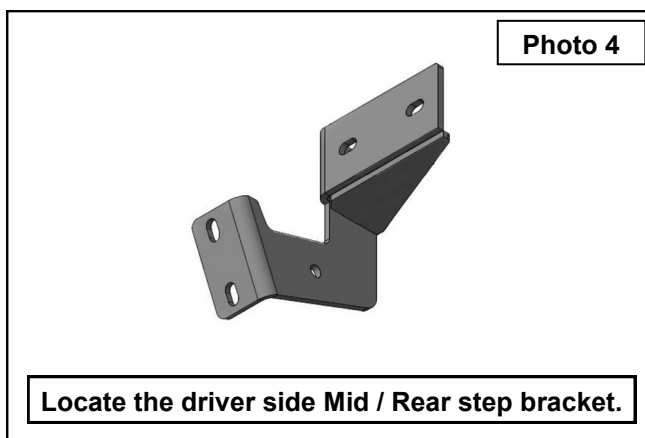
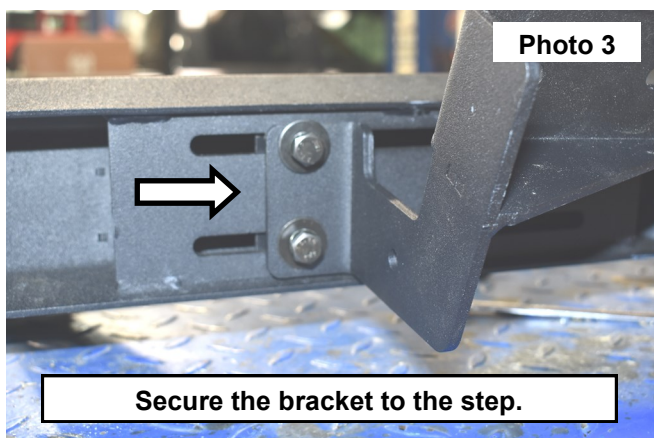


INSTALLATION INSTRUCTONS

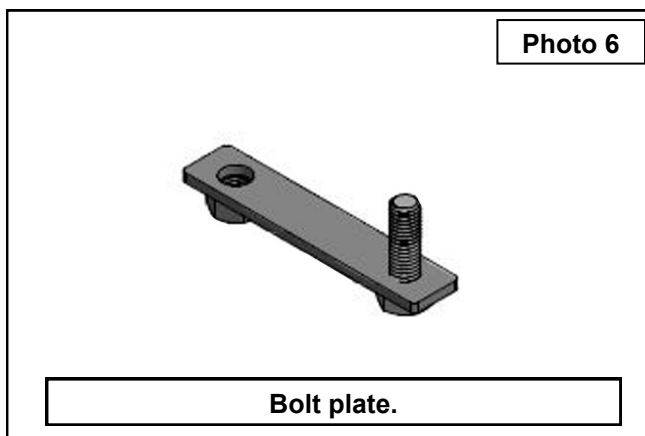
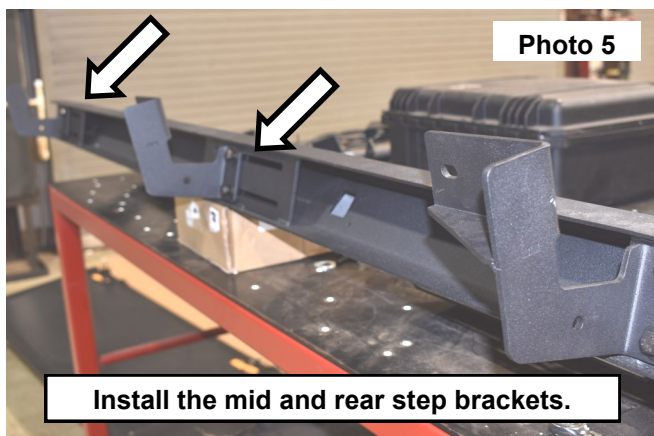
1. Install (1) of the nut plates into the step. **See Photo 1.**
2. Locate the (3) driver side step mounts shown in **Photo 2.**



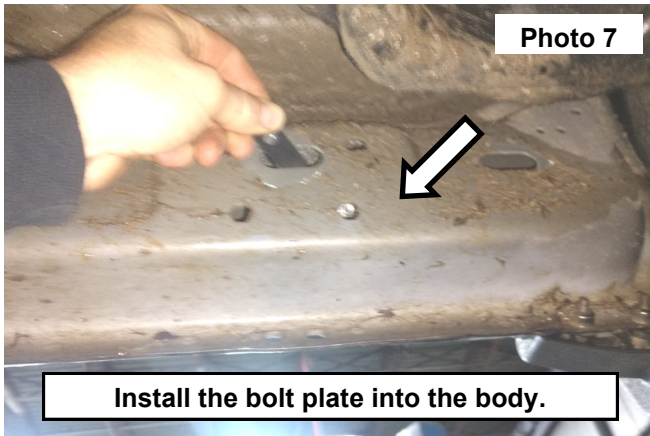
3. Install the step mount onto the step. Use (2) of the supplied 8mm x 25mm hex head bolts , (2) 8mm lock washer and (2) 8mm flat washers to secure the step mount to the step and nut plate. **See Photo 3.**
4. Repeat steps 1-3 to install the middle and rear step bracket to the steps using bracket shown in. **Photos 4 and 5.**



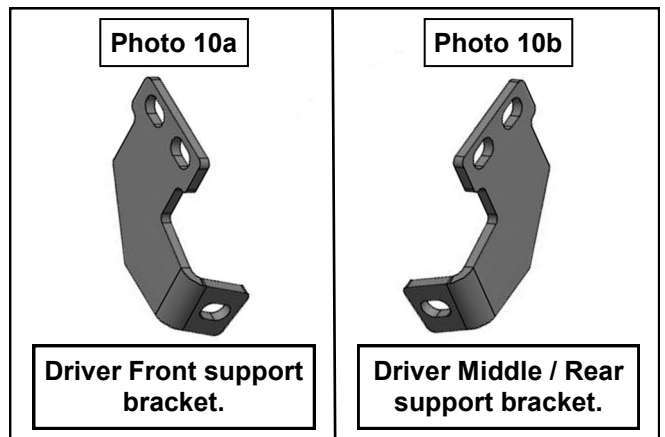
5. Locate the bolt plate. **See Photo 6.**



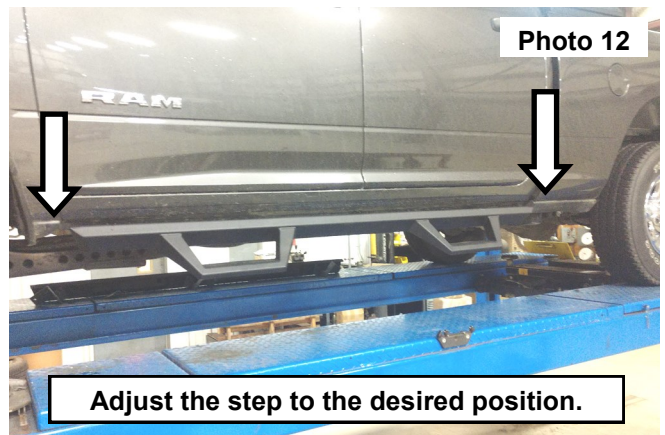
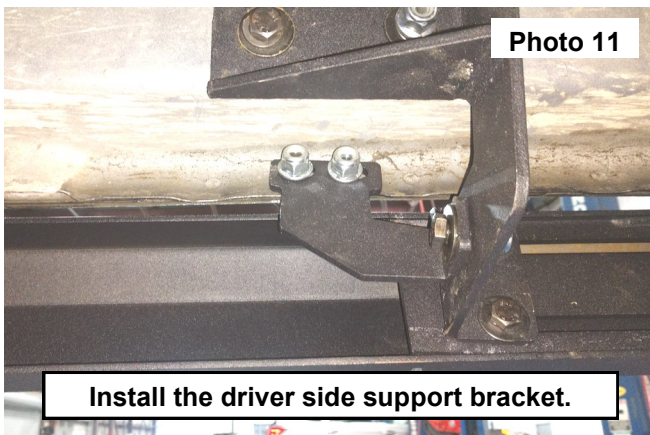
6. Install (1) of the bolt plate into the center body mount. **See Photo 7.**
7. Install the step onto the stud on the bolt plate on the center mount using (1) of the supplied 8mm flat washer, and (1) 8mm lock washer and (1) 8mm nut onto the stud on the bolt plate. Secure the nut side of the bolt plate using (1) 8mm hex head bolt, lock washer and flat washer. Snug hardware using a 13mm socket. **See Photo 8 and 9.**
8. Repeat step 7 for the front and rear step mounts.



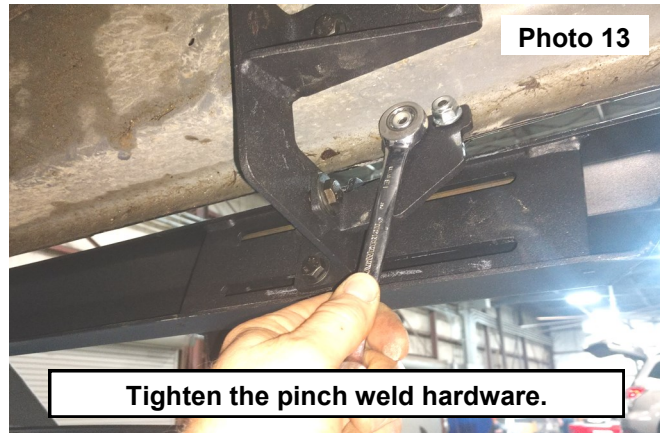
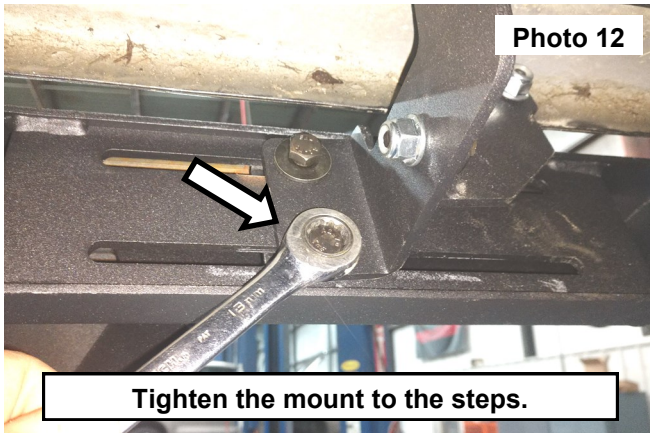
9. Locate the Front Driver Side support bracket. **See Photo 10a.**



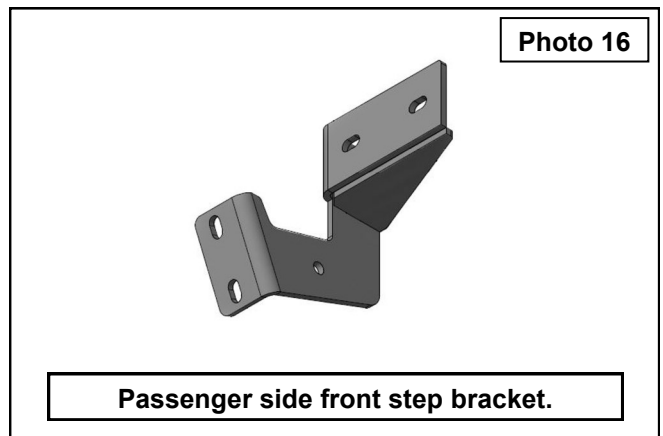
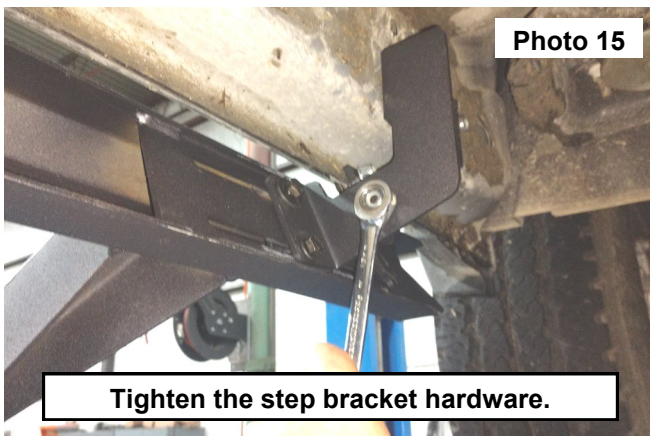
10. Secure the driver side support bracket to the body using the (2) holes in the pinch weld and the single hole in the step bracket. Use (3) of the supplied 8mm x 25mm hex head bolts (3) flat washers and (3) 8mm flange lock nuts. **See Photo 11.**
11. Repeat step 10 for the Middle and Rear step brackets shown in **Photo 10b.**
12. Adjust the step into the desired position on the vehicle. **See Photo 12.**



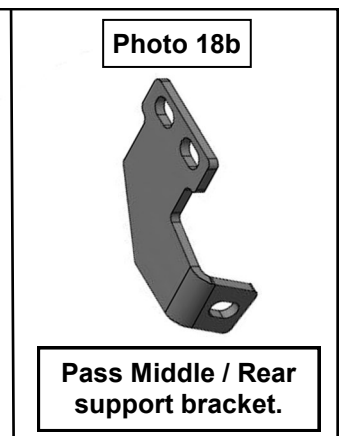
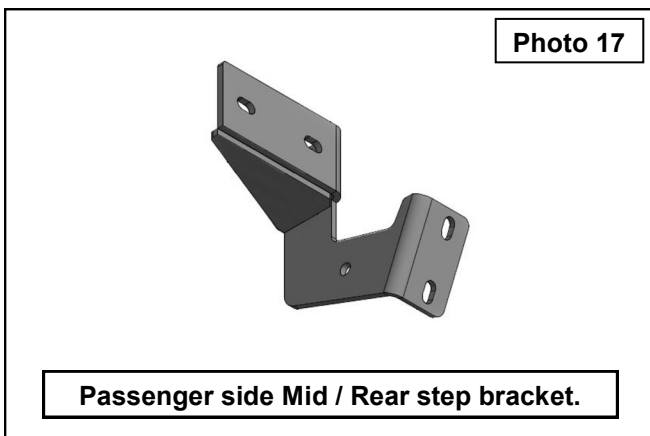
13. Tighten the step brackets to the step using a 13mm wrench. **See Photo 13.**
14. Tighten the support brackets to the pinch weld using a 13mm wrench. **See Photo 14.**



15. Tighten the support brackets to the step bracket using a 13mm wrench. **See Photo 15.**
16. Repeat steps 1-15 on the opposite side of the vehicle. Use the supplied Passenger side front step bracket shown in **Photo 16.**



17. Use the supplied Passengers side Middle and Rear step bracket. **See Photo 17.**
18. Use the supplied Passengers support brackets shown in **Photo 18a** and **Photo 18b.**
19. Retighten all of the hardware after 500 miles of use.



By purchasing any item sold by Rough Country, LLC, the buyer expressly warrants that he/she is in compliance with all applicable, State, and Local laws and regulations regarding the purchase, ownership, and use of the item. It shall be the buyers responsibility to comply with all Federal, State and Local laws governing the sales of any items listed, illustrated or sold. The buyer expressly agrees to indemnify and hold harmless Rough Country, LLC for all claims resulting directly or indirectly from the purchase, ownership, or use of the items.

