



FORD 2015-19 F-150 Crew Cab Fatted Steps

Thank you for choosing Rough Country for all your vehicle needs.

Please read instructions before beginning installation. Check the kit hardware against the kit contents shown below. Be sure you have all needed parts and know where they go.

If question exist, please call us @1-800-222-7023. We will be happy to answer any questions concerning this product.

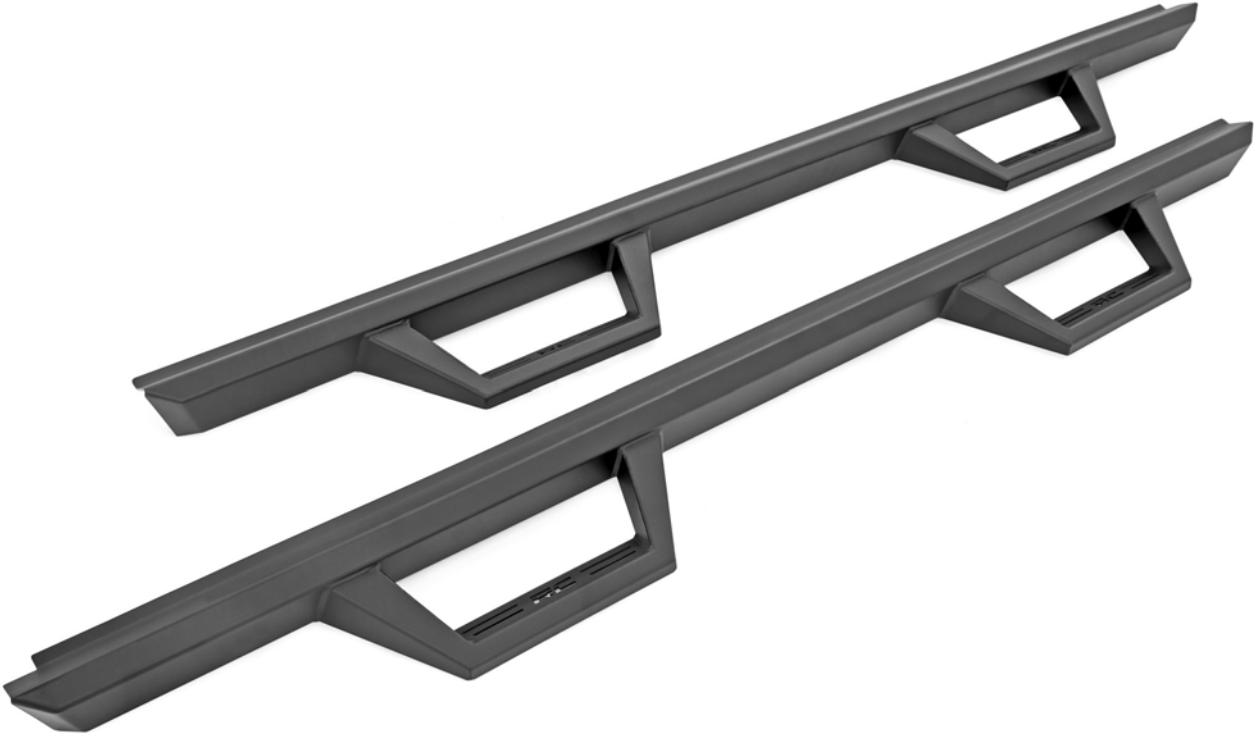
Check all fasteners for proper torque. Check to ensure for adequate clearance between all components.

Periodically check all hardware for tightness.

- KIT CONTENTS:**
 Driver Side Step x 1
 Pass Side Step x 1
 Driver Side Brackets x 3
 Pass Side Brackets x 3

- TOOLS NEEDED:**
 13mm wrench or socket

- HARDWARE INCLUDED:**
 8mm Nut Plate x 6
 8-1.25 x 25mm Hex Bolts x 12
 8mm Lock Washer x 12
 8mm Flat Washer x 30
 8mm-1.25 Nylock Nuts x 18



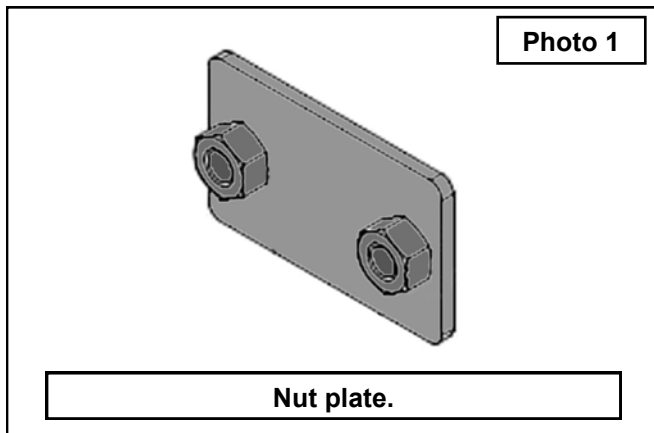
Torque Specs:

Size	Grade 5	Grade 8	Size	Class 8.8	Class 10.9
5/16"	15 ft/lbs	20ft/lbs	6MM	5ft/lbs	9ft/lbs
3/8"	30 ft/lbs	35ft/lbs	8MM	18ft/lbs	23ft/lbs
7/16"	45 ft/lbs	60ft/lbs	10MM	32ft/lbs	45ft/lbs
1/2"	65 ft/lbs	90ft/lbs	12MM	55ft/lbs	75ft/lbs
9/16"	95 ft/lbs	130ft/lbs	14MM	85ft/lbs	120ft/lbs
5/8"	135ft/lbs	175ft/lbs	16MM	130ft/lbs	165ft/lbs
3/4"	185ft/lbs	280ft/lbs	18MM	170ft/lbs	240ft/lbs

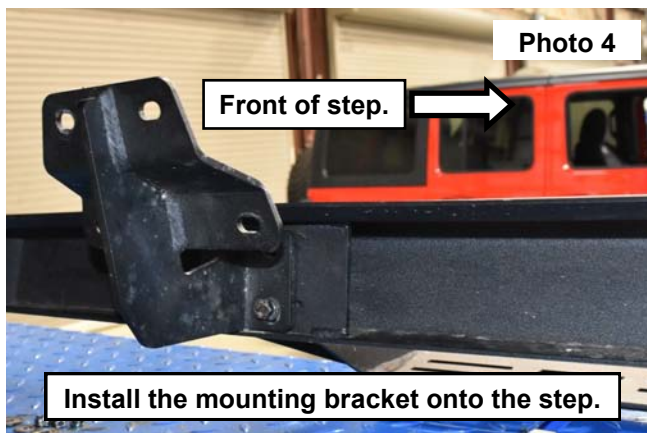
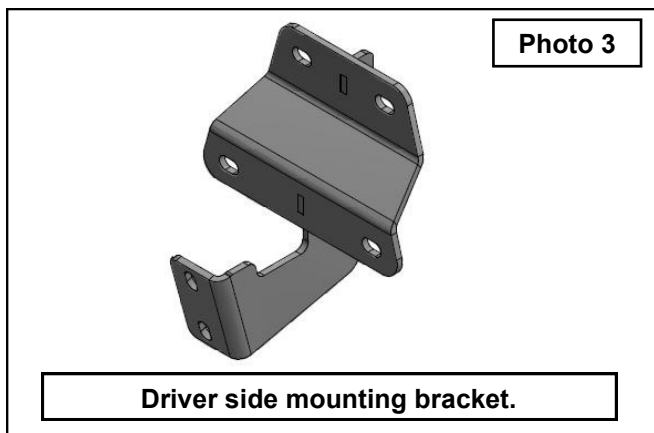


INSTALLATION INSTRUCTIONS

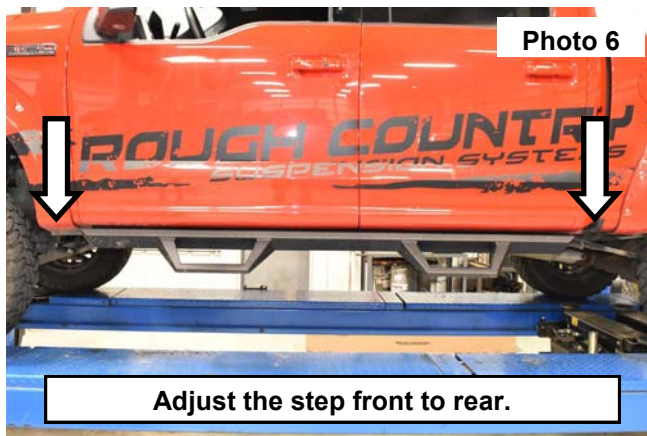
1. Locate the nut plate. **See Photo 1.**
2. Install the nut plate into the step. **See Photo 2.**



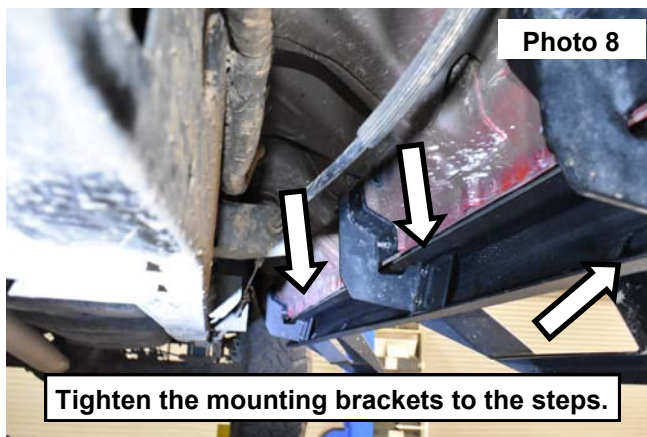
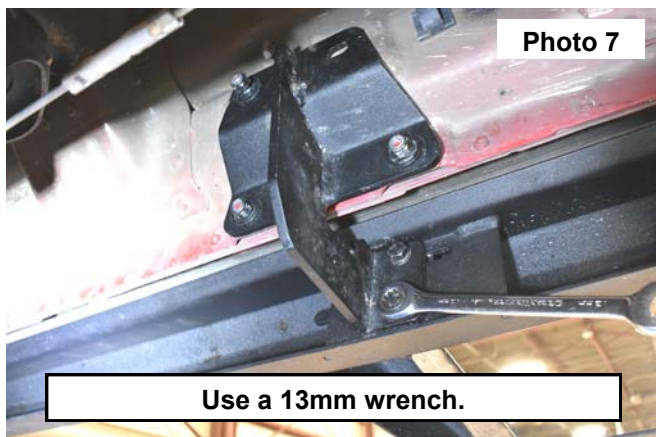
3. Locate the driver side mounting bracket. **See Photo 3.**
4. Install the mounting bracket onto the step using the supplied 8mm-1.25 x 25mm hex head bolts, 8mm lock washers and 8mm flat washers. **See Photo 4.** Do not tighten at this time.



5. Install the 2 remaining nut plate and mounting brackets onto the drivers side step using the supplied 8mm hardware.
6. Install the step onto the vehicle using the supplied 8mm -1.25 x 25mm hex head bolt, 8mm lock washer and 8mm flat washer. Tighten using a 13mm socket. **See Photo 5.**
7. Adjust the step to the desired location front to rear on the vehicle. **See Photo 6.**



8. Tighten the 8mm hardware in the 3 mounting brackets to the step using a 13mm wrench. See Photo 7 and 8.



9. Repeat steps 1-8 on the passengers side of the vehicle.

By purchasing any item sold by Rough Country, LLC, the buyer expressly warrants that he/she is in compliance with all applicable , State, and Local laws and regulations regarding the purchase, ownership, and use of the item. It shall be the buyers responsibility to comply with all Federal, State and Local laws governing the sales of any items listed, illustrated or sold. The buyer expressly agrees to indemnify and hold harmless Rough Country, LLC for all claims resulting directly or indirectly from the purchase, ownership, or use of the items.

