

ROUGH COUNTRY
SUSPENSION SYSTEMS®

921510090



51009BAG

FORD 2019 Ranger Crew Cab Fatted Steps

Thank you for choosing Rough Country for all your vehicle needs.

Please read instructions before beginning installation. Check the kit hardware against the kit contents shown below. Be sure you have all needed parts and know where they go.

If question exist, please call us @1-800-222-7023. We will be happy to answer any questions concerning this product.

Check all fasteners for proper torque. Check to ensure for adequate clearance between all components.

Periodically check all hardware for tightness.

▲ NOTICE Fits Crew Cab Only.

KIT CONTENTS:

Driver Side Step x 1

Pass Side Step x 1

Driver Side Front Bracket x 1

Pass Side Front Bracket x 1

Driver Side Mid & Rear Bracket x 2

Pass Side Mid & Rear Bracket x 2

TOOLS NEEDED:

13mm Wrench and Socket

17mm Wrench and Socket

HARDWARE INCLUDED:

8mm Nut Plate x 6

8-1.25 x 25mm Hex Bolts x 12

8mm Lock Washer x 12

8mm Flat Washer x 12

10-1.5 x 25mm Hex Head Bolts x 12

10mm Flat Washers

10mm Lock Washers



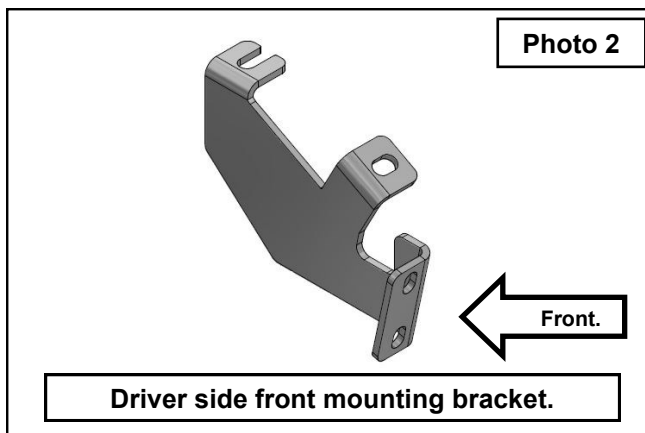
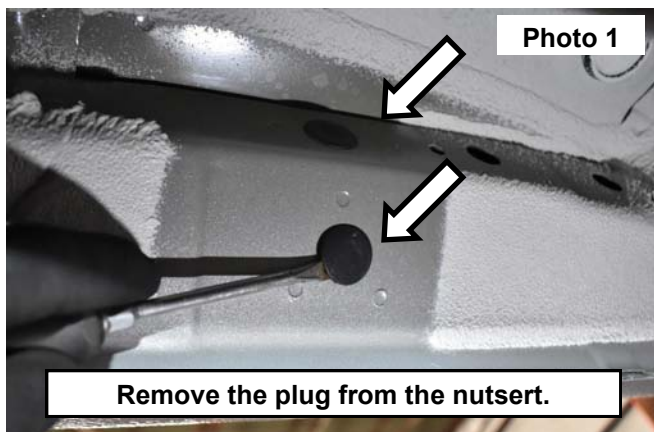
Torque Specs:

Size	Grade 5	Grade 8	Size	Class 8.8	Class 10.9
5/16"	15 ft/lbs	20ft/lbs	6MM	5ft/lbs	9ft/lbs
3/8"	30 ft/lbs	35ft/lbs	8MM	18ft/lbs	23ft/lbs
7/16"	45 ft/lbs	60ft/lbs	10MM	32ft/lbs	45ft/lbs
1/2"	65 ft/lbs	90ft/lbs	12MM	55ft/lbs	75ft/lbs
9/16"	95 ft/lbs	130ft/lbs	14MM	85ft/lbs	120ft/lbs
5/8"	135ft/lbs	175ft/lbs	16MM	130ft/lbs	165ft/lbs
3/4"	185ft/lbs	280ft/lbs	18MM	170ft/lbs	240ft/lbs

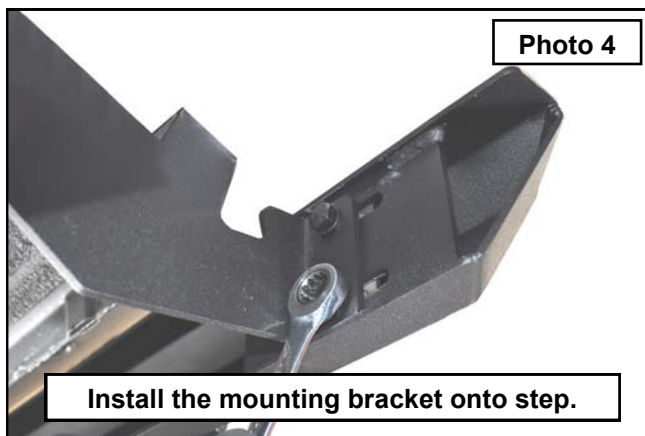
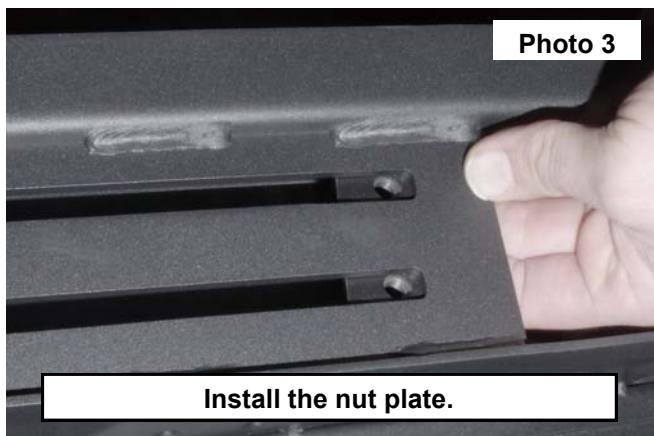


INSTALLATION INSTRUCTONS

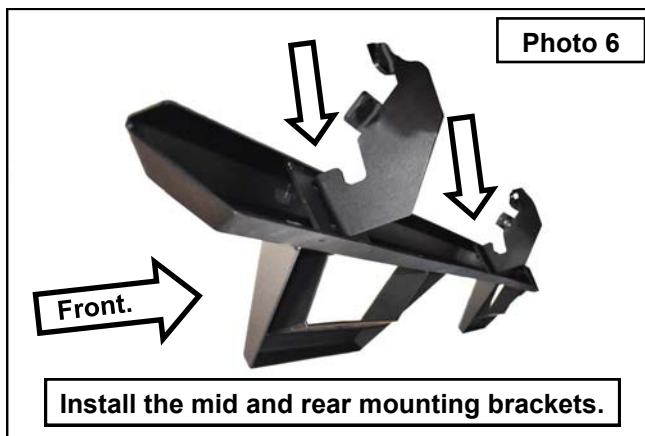
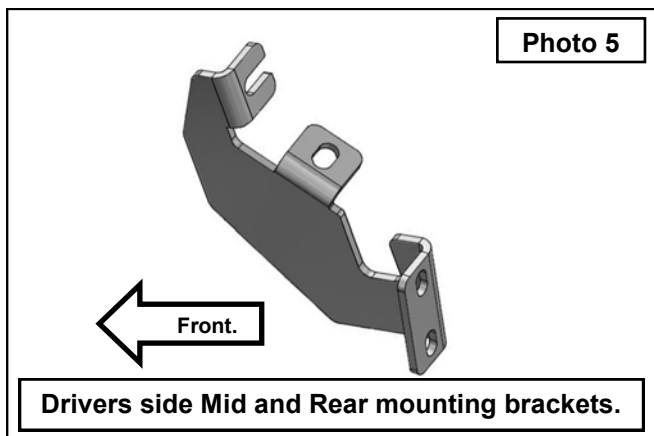
1. Removal of the factory steps or the plugs covering the nutsert at the step mounting location are required before installation of the Rough Country Steps. Retain the factory hardware to install the brackets to the body if desired.
2. Remove the plugs in the nutserts at the step mounting location. **See Photo 1.**
3. Locate the driver side front mounting bracket. **See Photo 2.**



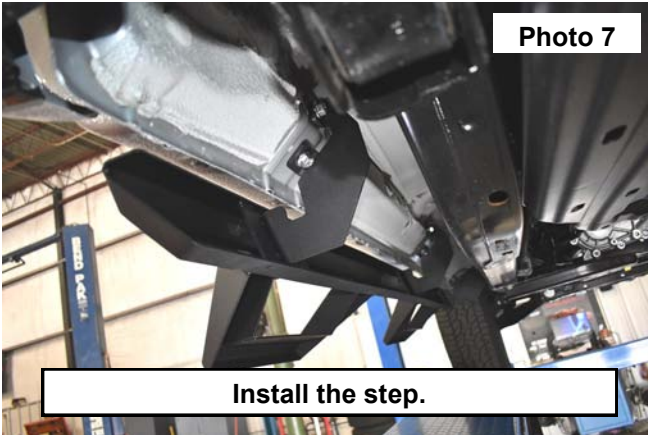
4. Install the supplied 8mm nut plate onto the back side of the step. **See Photo 3.**
5. Install the front mounting bracket onto the front side of the step using the supplied 8mm-1.25mm x 25mm hex head bolt, 8mm Lock washer and 8mm flat washer into the nut plate. **Do Not Tighten.** **See Photo 4.**



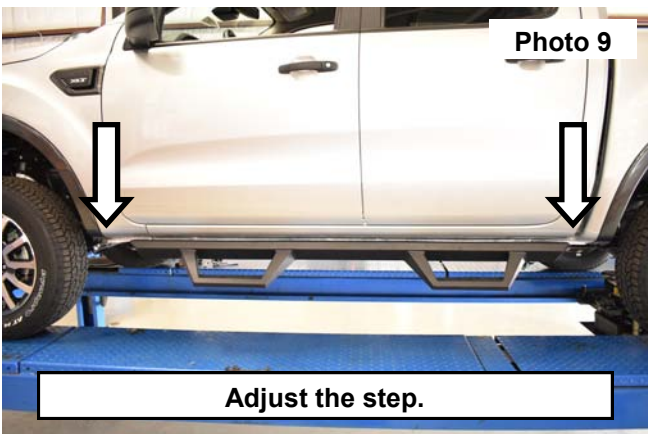
6. Locate the driver side mid and rear mounting brackets. **See Photo 5.**
7. Install the mid and rear mounting brackets onto the step using the nut plate and supplied 8mm-1.25mm x 25mm hex head bolt, 8mm Lock washer and 8mm flat washer into the nut plate. **See Photo 6.**



8. Install the steps onto the vehicle using 6 of the supplied 10mm -1.5 x 25mm bolts (6) 10mm lock washers (6) 10mm flat washers. **See Photo 7.**
9. Tighten the mounting bracket hardware using a 17mm socket. **See Photo 8.**



10. Adjust the step to the desired location front to rear on the vehicle. **See Photo 9.**
11. Adjust the desired height and tighten the mounting bracket to the step using a 13mm wrench. **See Photo 10.**



12. Repeat steps 1-11 on the passengers side of the vehicle.

By purchasing any item sold by Rough Country, LLC, the buyer expressly warrants that he/she is in compliance with all applicable , State, and Local laws and regulations regarding the purchase, ownership, and use of the item. It shall be the buyers responsibility to comply with all Federal, State and Local laws governing the sales of any items listed, illustrated or sold. The buyer expressly agrees to indemnify and hold harmless Rough Country, LLC for all claims resulting directly or indirectly from the purchase, ownership, or use of the items.

