



Toyota 2005-19 Tacoma Double Cab XL2 Step

Thank you for choosing Rough Country for all your vehicle needs.

Please read instructions before beginning installation. Check the kit hardware against the kit contents shown below. Be sure you have all needed parts and know where they go.

If question exist, please call us @1-800-222-7023. We will be happy to answer any questions concerning this product. Check all fasteners for proper torque. Check to ensure for adequate clearance between all components. Periodically check all hardware for tightness.

KIT CONTENTS:

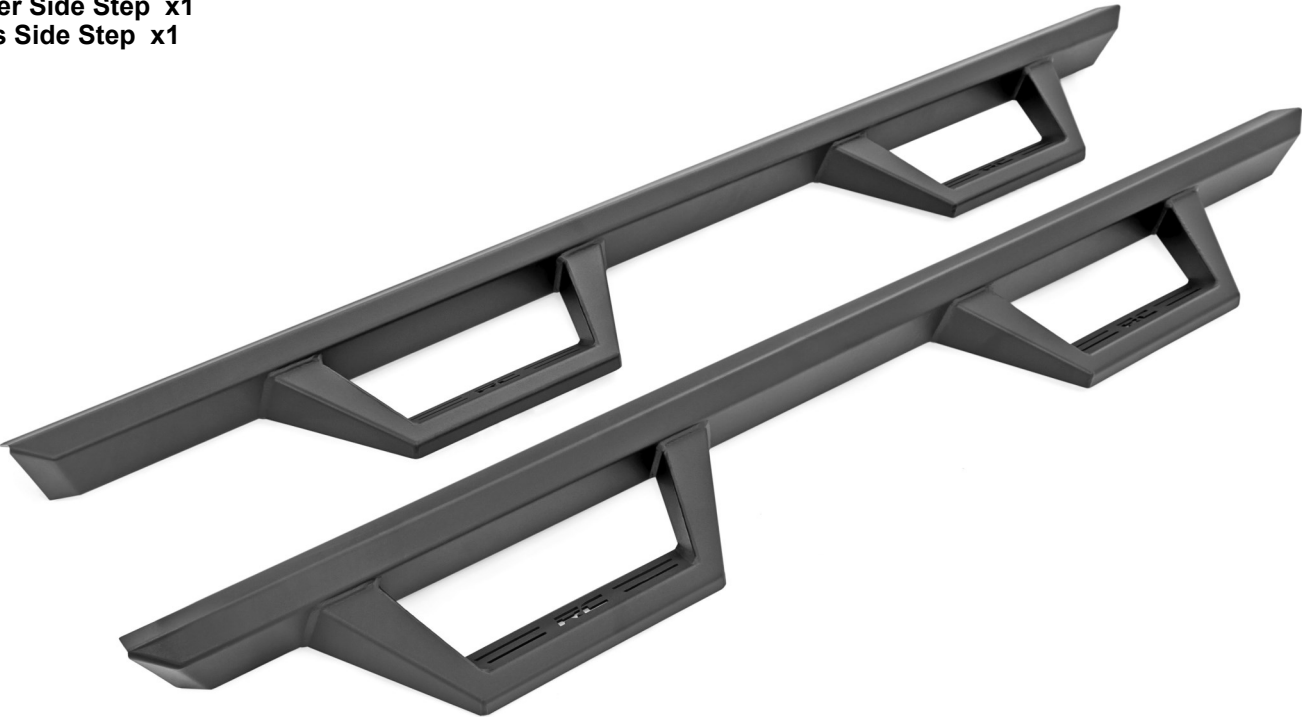
- Driver Side Front Mount x1
- Driver Side Mid Mount x1
- Driver Side Rear Step Mount x1
- Pass Side Front Mount x1
- Pass Side Mid Mount x1
- Pass Side Rear Step Mount x1
- Driver Side Step x1
- Pass Side Step x1

TOOLS NEEDED:

- Ratchet
- 13mm Wrench or Socket

HARDWARE INCLUDED:

- 8mm Flag Nut x6
- 8mm-1.25 x25mm Hex Head Bolt x24
- 8mm Flat Washers x24
- 8mm Lock Washers x24



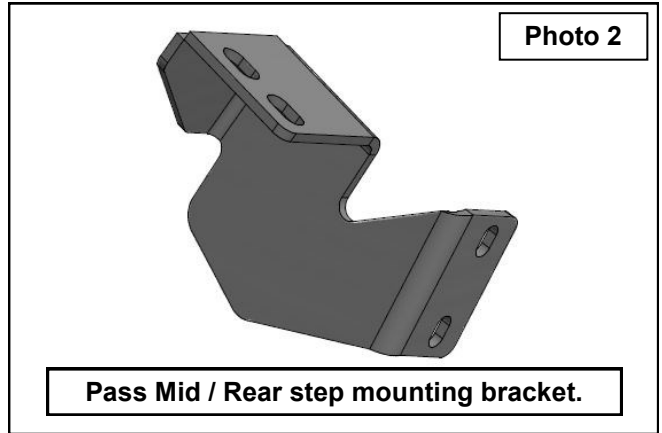
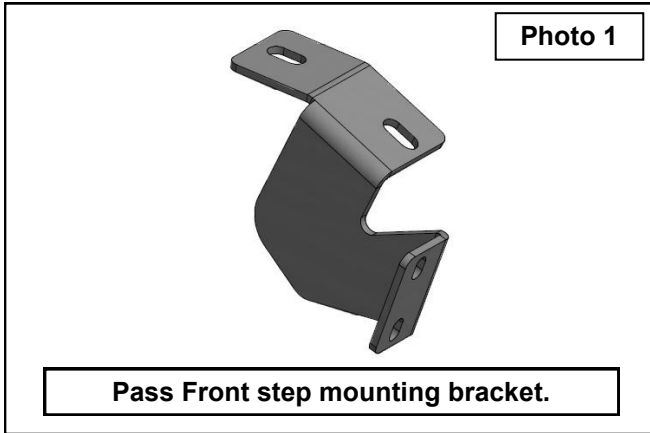
Torque Specs:

Size	Grade 5	Grade 8	Size	Class 8.8	Class 10.9
5/16"	15 ft/lbs	20ft/lbs	6MM	5ft/lbs	9ft/lbs
3/8"	30 ft/lbs	35ft/lbs	8MM	18ft/lbs	23ft/lbs
7/16"	45 ft/lbs	60ft/lbs	10MM	32ft/lbs	45ft/lbs
1/2"	65 ft/lbs	90ft/lbs	12MM	55ft/lbs	75ft/lbs
9/16"	95 ft/lbs	130ft/lbs	14MM	85ft/lbs	120ft/lbs
5/8"	135ft/lbs	175ft/lbs	16MM	130ft/lbs	165ft/lbs
3/4"	185ft/lbs	280ft/lbs	18MM	170ft/lbs	240ft/lbs

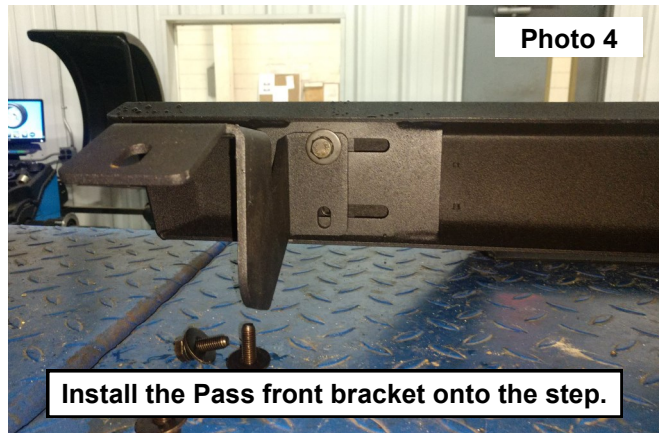


INSTALLATION INSTRUCTONS

1. Identifying the Pass Front step mounting bracket. **See Photo 1.**
2. Identifying the Pass Mid / Rear step mounting bracket. **See Photo 2.**



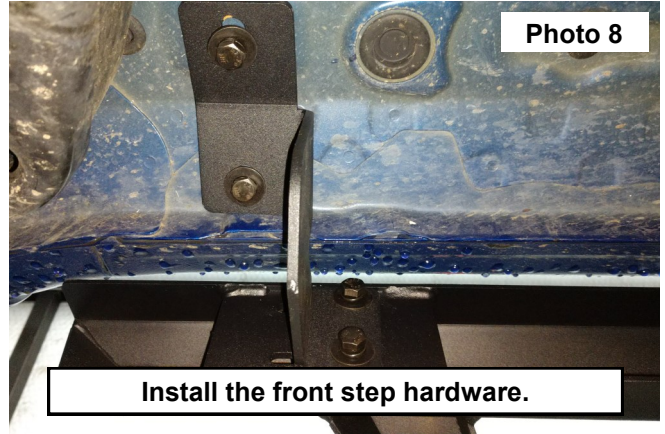
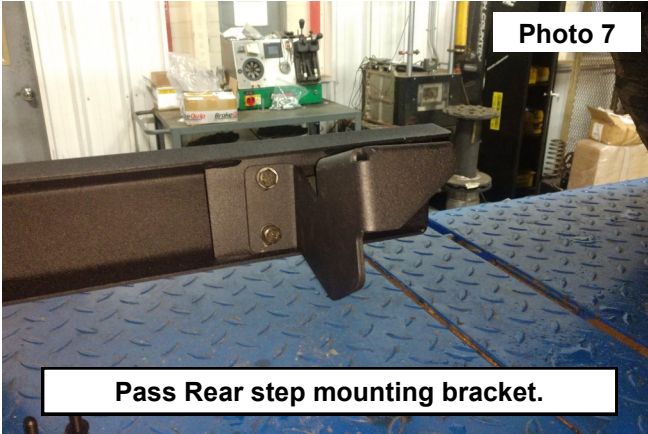
3. Install (1) nut plate into the front step mount step. **See Photo 3.**
4. Install the Pass Front step mounting bracket onto the step. Secure using (2) of the supplied 8mm-1.25 x 25mm hex head bolts (2) 8mm lock washers and (2) 8mm flat washers into the nut plate. Snug the bolts using a 13mm socket. **See Photo 4.**



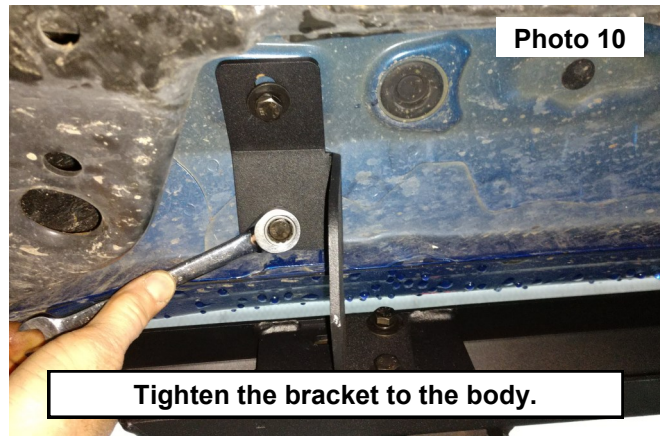
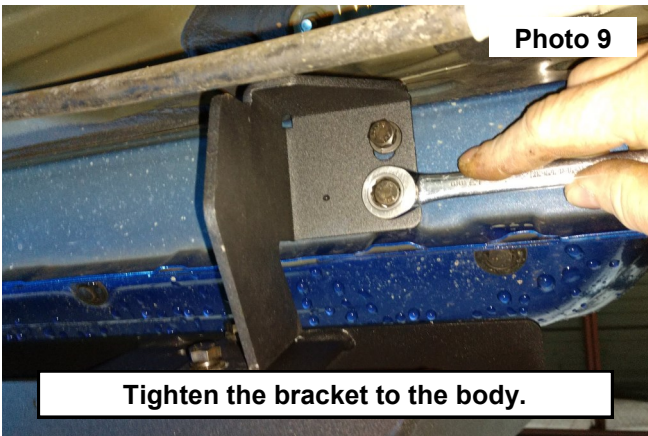
5. Install (1) nut plate into the Mid step. **See Photo 5.**
6. Install the Pass Mid step mounting bracket onto the step. Secure using (2) of the supplied 8mm-1.25 x 25mm hex head bolts, (2) 8mm lock washers and (2) 8mm flat washers into the nut plate. Snug the bolts using a 13mm socket. **See Photo 6.**



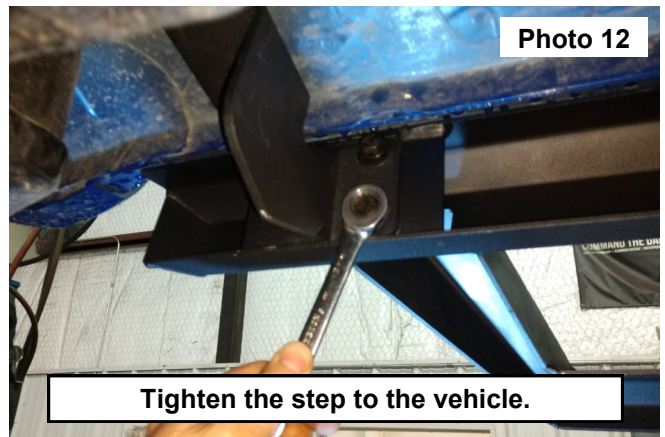
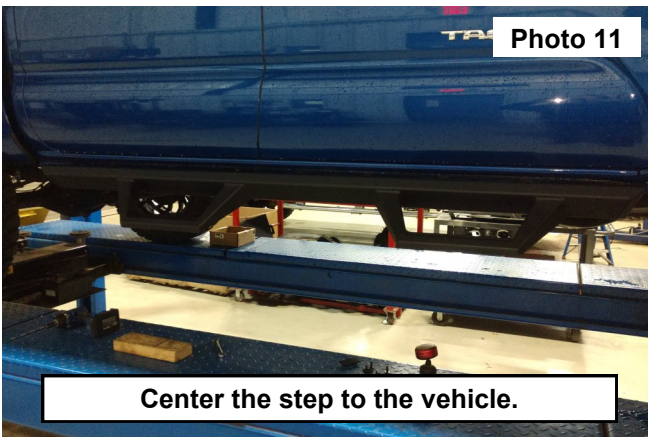
7. Install (1) nut plate and the Pass Rear step mounting bracket onto the step. Secure using (2) of the supplied 8mm-1.25 x 25mm hex head bolts, (2) 8mm lock washers and (2) 8mm flat washers into the nut plate. Snug the bolts using a 13mm socket. **See Photo 7.**
8. Install the step onto the vehicle. Using (2) of the supplied 8mm-1.25 x 25mm hex head bolts, (2) 8mm lock washers and (2) 8mm flat washers into the Front, Mid and Rear mounts of the step. **See Photo 8.**



9. Tighten the Front, Mid and Rear mounts using a 13mm wrench or socket. **See Photos 9 and 10.**



10. Center the step on the vehicle to the desired look. Then tighten using a 13mm socket or wrench. **See Photos 11 and 12.**





By purchasing any item sold by Rough Country, LLC, the buyer expressly warrants that he/she is in compliance with all applicable, State, and Local laws and regulations regarding the purchase, ownership, and use of the item. It shall be the buyers responsibility to comply with all Federal, State and Local laws governing the sales of any items listed, illustrated or sold. The buyer expressly agrees to indemnify and hold harmless Rough Country, LLC for all claims resulting directly or indirectly from the purchase, ownership, or use of the items.

