



3' 4' 5' 6' RBG Spiral LED Whip

Thank you for choosing Rough Country for all your vehicle needs.

Please read instructions before beginning installation. Check the kit hardware against the kit contents shown below. Be sure you have all needed parts and know where they go.

If question exist, please call us @1-800-222-7023. We will be happy to answer any questions concerning this product.

Check all fasteners for proper torque. Check to ensure for adequate clearance between all components.

Periodically check all hardware for tightness.

- KIT CONTENTS:**
 RBG Whip Light x2
 Wiring Harness x1
 Remote x1
 Flag x2
 Carabiner Hook x4
 Flag Mounts x4
 Flag mount keeper x4

- TOOLS NEEDED:**
 19mm Wrench or Socket

- HARDWARE INCLUDED:**
 Lock Washer x1
 Flat Washer x1
 Nut x1
 Flag Hardware
 Bolts x4
 Nuts x4



Torque Specs:

Size	Grade 5	Grade 8	Size	Class 8.8	Class 10.9
5/16"	15 ft/lbs	20ft/lbs	6MM	5ft/lbs	9ft/lbs
3/8"	30 ft/lbs	35ft/lbs	8MM	18ft/lbs	23ft/lbs
7/16"	45 ft/lbs	60ft/lbs	10MM	32ft/lbs	45ft/lbs
1/2"	65 ft/lbs	90ft/lbs	12MM	55ft/lbs	75ft/lbs
9/16"	95 ft/lbs	130ft/lbs	14MM	85ft/lbs	120ft/lbs
5/8"	135ft/lbs	175ft/lbs	16MM	130ft/lbs	165ft/lbs
3/4"	185ft/lbs	280ft/lbs	18MM	170ft/lbs	240ft/lbs

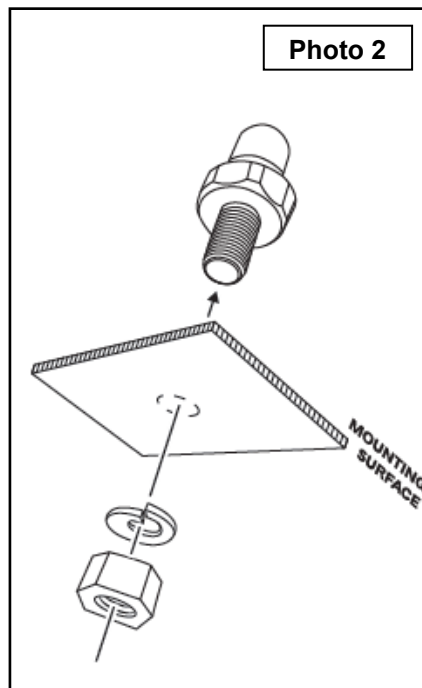
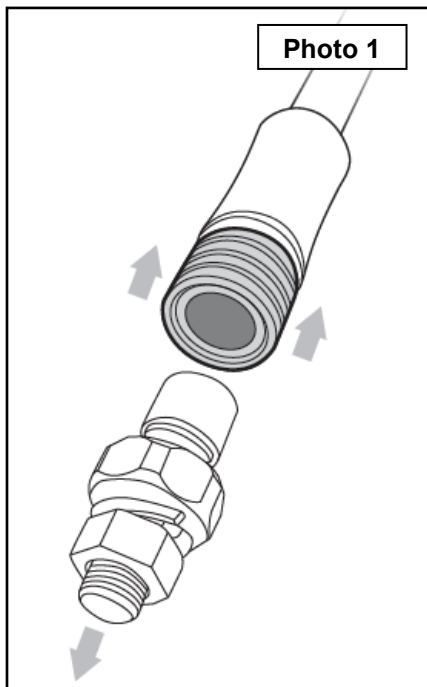


INSTALLATION INSTRUCTIONS

- Proper installation of this product requires the installer to have a good understanding of the automotive electronics, systems, and procedures.
- If mounting this product requires drilling holes, the installer **MUST** be sure that no vehicle components or other vital parts could be damaged by the drilling process. Check both sides of the mounting surface before drilling begins. Also de-burr any holes and remove any metal shards or remnants. Install grommets into all wire passage holes.
- If this manual states that this product may be mounted with suction cups, magnets, tape or Velcro, clean the mounting surface and dry thoroughly prior to apply adhesive for maximum adhesion.
- Do not attempt to activate or control this device in a hazardous driving situation.
- Do not install this product or rout any wires in the deployment area of your air bag. Equipment mounted or located in the air bag deployment area will damage or reduce the effectiveness of the air bag, or become a projectile that could cause serious personal injury or death. Refer to your vehicle owner's manual for the air bag deployment area. The User/installer assumes full responsibility to determine proper mounting location, based on providing ultimate safety to all passengers inside the vehicle.
- This product contains either strobe light(s), halogen light(s), high-intensity LEDs or a combination of these lights. Do not stare directly into these lights. Momentary blindness and/or eye damage could result.

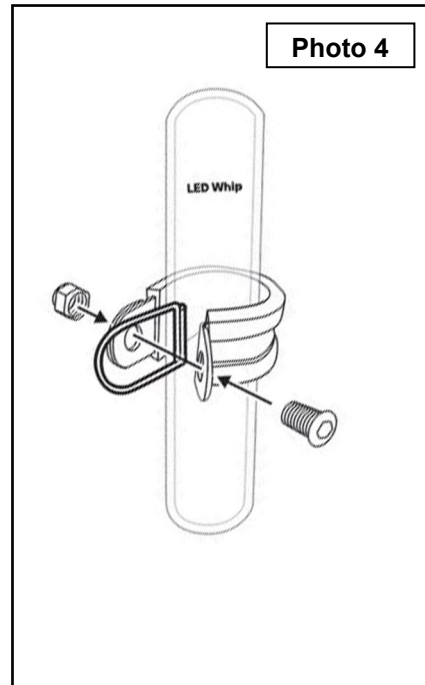
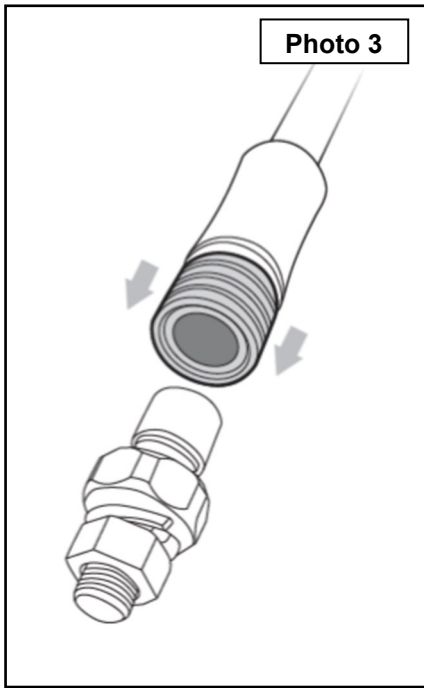
Mounting:

- **CAUTION!** *Permanent mounting of this product will require drilling. It is absolutely necessary to make sure that no other vehicle components could be damaged by this process. Check both sides of the mounting surface before starting. If damage is likely, select a different mounting location.*
1. Disassemble the two parts of the quick disconnect mounting base by sliding the quick disconnect band "UP" to release the locking mechanism. **See Photo 1.**
 2. Remove the flat washer, lock washer and the nut from the quick disconnect mounting base bolt. **See Photo 2.**
 3. Select the desired mounting location. Check both sides of the mounting surface location.



4. Mark the area where the mounting hole is to be drilled. Confirm that no vehicle parts could be damaged by the drilling process.
5. Use a drill bit of the appropriate size, drill a mounting hole for the Mounting bolt. Thoroughly de-burr the drilled hole on the top and bottom side.
6. Secure the mounting base onto the mounting surface using the included mounting bolt, flat washer, lock washer and nut and tighten. *Refer to **Photo 2** for installation.*

7. Install the LED whip onto the quick disconnect mount that has been installed, slide the base of the LED whip “UP” and slide the LED whip onto the base locking the base securing the LED whip. **See Photo 3.**
8. Attach the included Flag to the LED whip using the supplied hardware. **See Photo 4.**



9. We recommend keeping the flag taut using the included carabiner hook. This will result in less rattling of the hardware and promote optimal fluttering of the flag as the automobile is set in motion. **See Photo 5.**

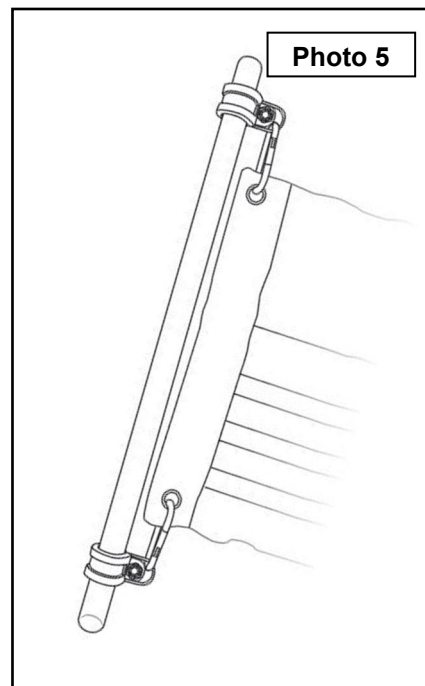
Wiring:

WARNING! All customer supplied wires that connect to the positive terminal to the battery must be sized to supply at least 125% of the maximum operating current and FUSED at the battery to carry that load.

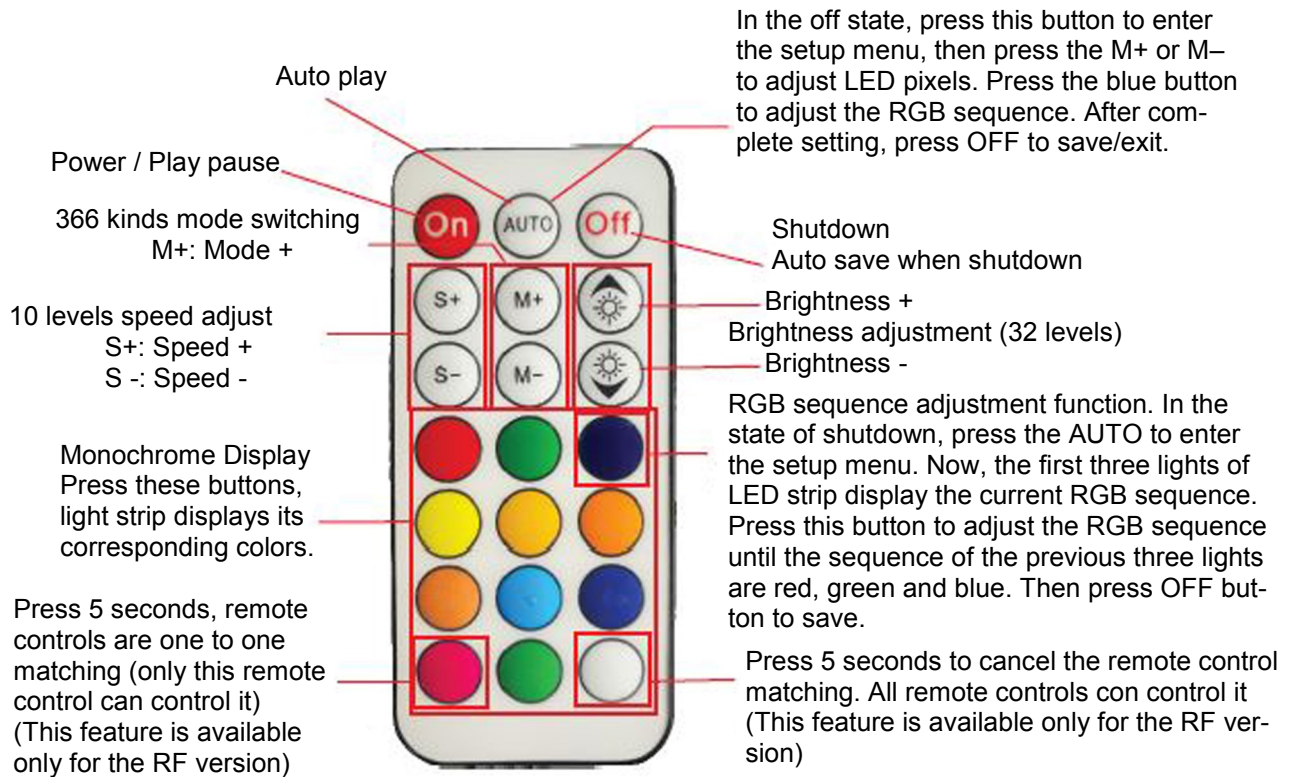
- **RED**– To 12V DC Power Source.
- **Black**– To Chassis Ground.

Specifications

- Input Voltage: 12V DC
- Input Current:
 - ORZLEDWHP123 - 1.9A MAX @ 12VDC
 - ORZLEDWHP124 - 2.3A MAX @ 12VDC
 - ORZLEDWHP125 - 2.8A MAX @ 12VDC
 - ORZLEDWHP126 - 3.0A MAX @ 12VDC



RGB Spiral LED Whip Controller



By purchasing any item sold by Rough Country, LLC, the buyer expressly warrants that he/she is in compliance with all applicable, State, and Local laws and regulations regarding the purchase, ownership, and use of the item. It shall be the buyers responsibility to comply with all Federal, State and Local laws governing the sales of any items listed, illustrated or sold. The buyer expressly agrees to indemnify and hold harmless Rough Country, LLC for all claims resulting directly or indirectly from the purchase, ownership, or use of the items.

